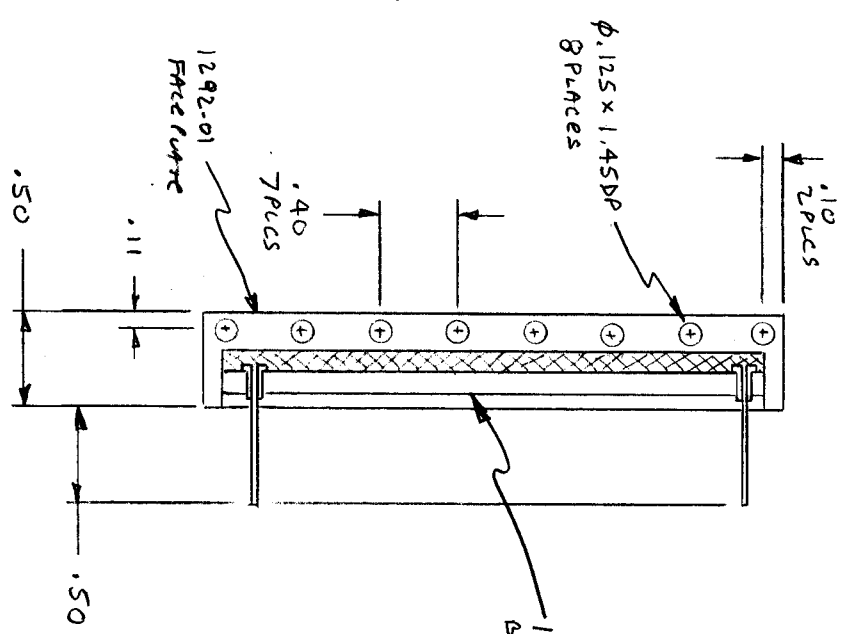
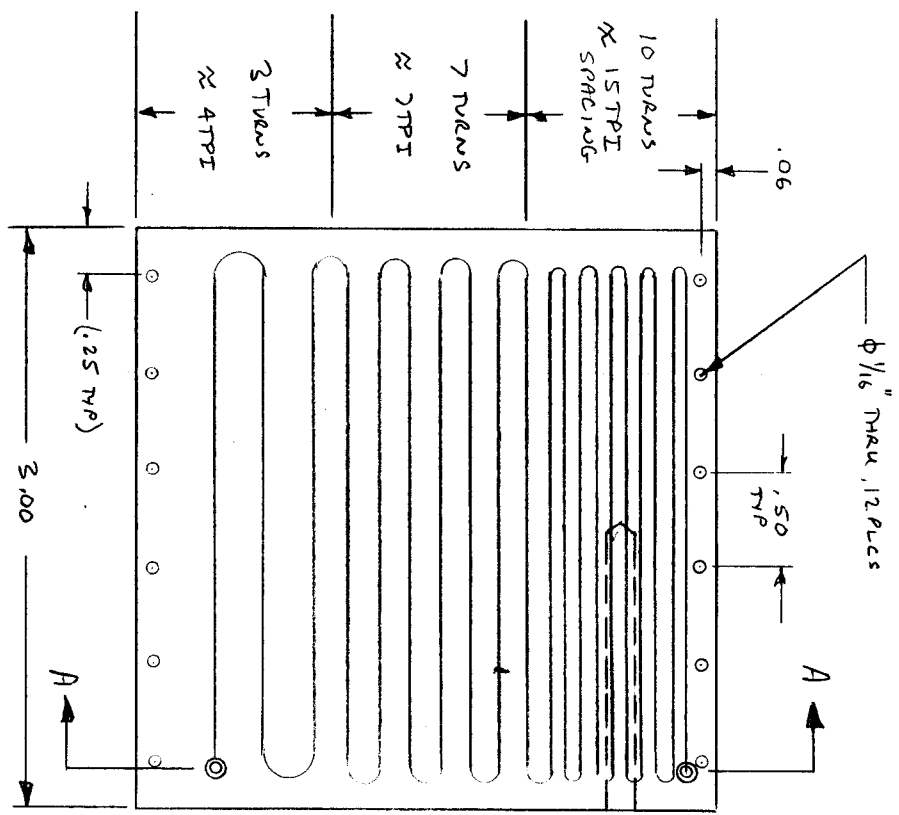


PART NO: 101292

REVISIONS

REV	DESCRIPTION	ECO	DATE	APPROVED
A	ADD 1/16" HOLES		7/9/97	KMG
B	ADD 3/16" Pgs 2, Pgs 3, .20 WTS, .12		10/6/97	KMG



View A-A

UNLESS OTHERWISE SPECIFIED ALL DIMENSIONS ARE IN INCHES.
 .XXX = ±.005 .XX = ±.020
 .XXI = ±.005
 FINISH TO SURFACES
 ANGLES FOR MINUTES
 EDGES & CORNERS .005 R MAX

HeatWave
 765 CALABASAS ROAD, WATSONVILLE, CA 95076
 TELEPHONE: (408) 722-9081 FAX: (408) 722-5491

HeatWave
 (Heater w/ .020 Pt/Rh element
 (Gradients 3-400°C))

SIZE FSCN NO. DWG. NO. 101292
 SCALE: 1/16

REVISIONS

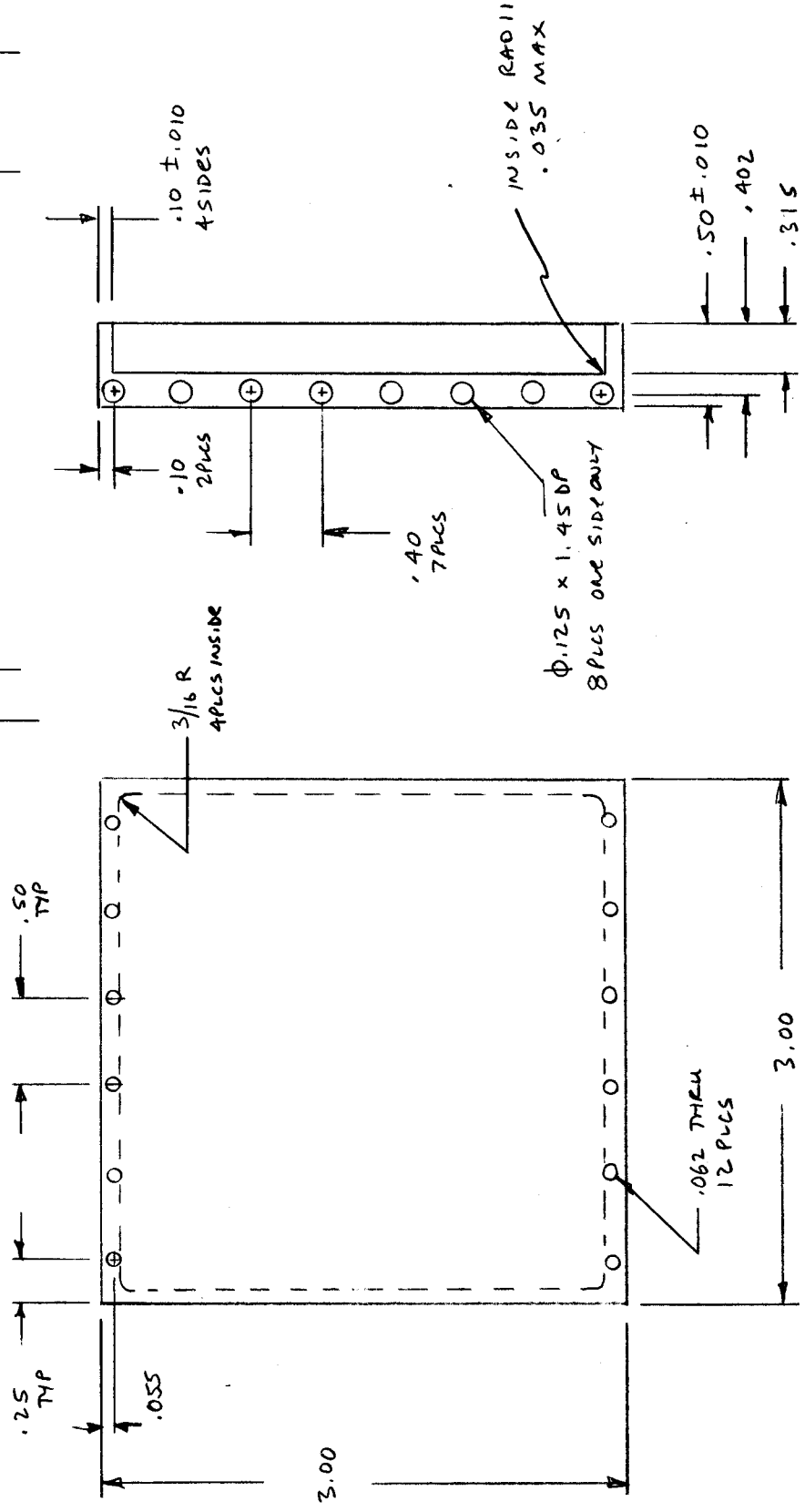
BY	DATE	APPROVED	DATE
CHK			
ENGRG	6/19/97		
APPRD			

DO NOT SCALE DRAWING

THIS DOCUMENT IS PROPERTY OF HEATWAVE. ITS CONTENTS MAY NOT BE REPRODUCED OR DISTRIBUTED WITHOUT EXPRESS WRITTEN PERMISSION OF HEATWAVE.

PART NO: 101292

REVISIONS			
REV	DESCRIPTION	ECO	DATE



UNLESS OTHERWISE SPECIFIED ALL DIMENSIONS ARE IN INCHES.		BY	DATE
XXX = ± .005	XX = ± .020	DRAWN	
XXXX = ± .0005		CHK	
FINISH 32 MICROINCHES	ENGRG Gunther	ENGRG	9/11/97
ANGLES 30 MINUTES	APPRO	APPRO	
EDGES & CORNERS .005 R MAX	MATERIAL		
	AL995 OR EQ.		
DO NOT SCALE DRAWING		SCALE: N/A	

HeatWave
765 CALABASAS ROAD, WATSONVILLE, CA 95076
TELEPHONE: (408) 722-9081 FAX: (408) 722-5491

Al₂O₃ FACE PLATE (-01)

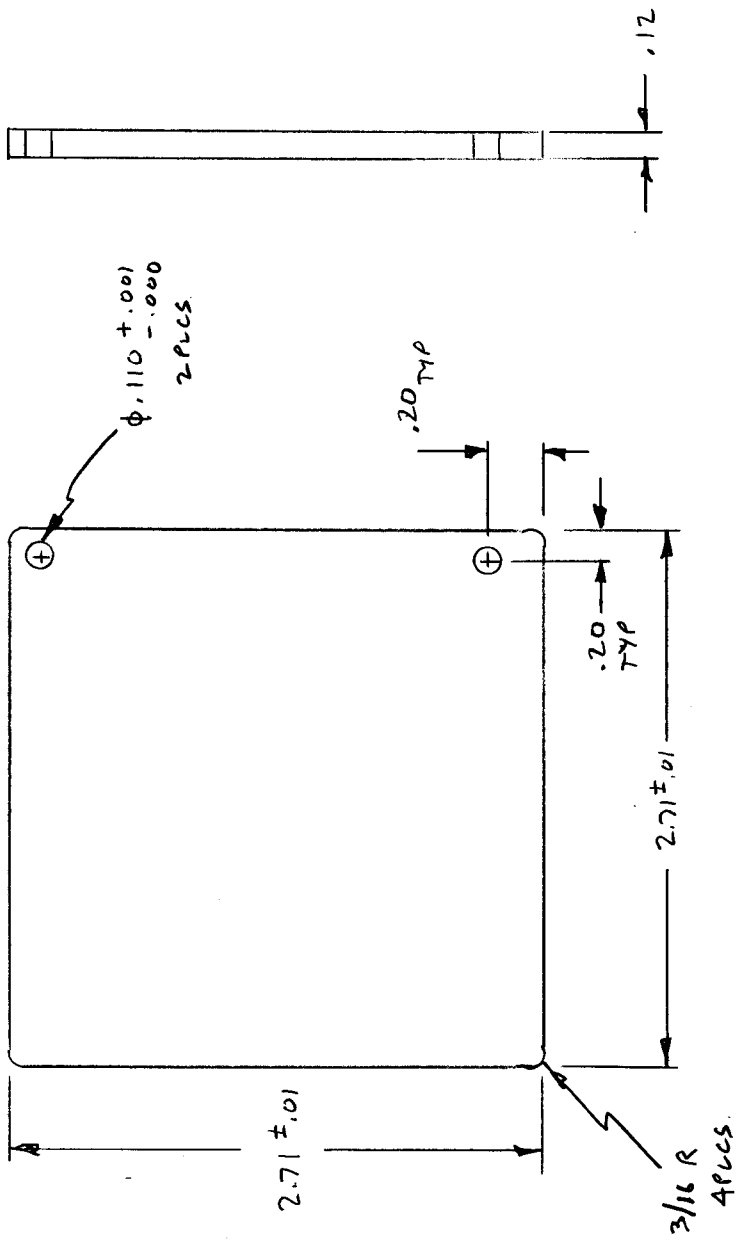
SIZE	FSCN NO.	DWG. NO.	REV
A		101292	B
THIRD ANGLE PROJECTION		SCALE: N/A	SHEET: 2/3

This document is property of HeatWave. Its contents may not be reproduced or distributed without express written permission of HeatWave.

PART NO: 101292

REVISIONS

REV	DESCRIPTION	ECO	DATE	APPROVED



UNLESS OTHERWISE SPECIFIED ALL DIMENSIONS ARE IN INCHES.		BY	DATE
.XXX = ±.005	.XX = ±.020	DRAWN	
.XXXX = ±.0005		CHK	
FINISH 32 MICROINCHES		ENGRG	Gunther 9/11/92
ANGLES ±30 MINUTES		APPRO	
EDGES & CORNERS .005 R MAX			
MATERIAL			
AL99.5 OR EQ			
DO NOT SCALE DRAWING			

HeatWave 765 CALABASAS ROAD, WATSONVILLE, CA 95076
 TELEPHONE: (408) 722-9081 FAX: (408) 722-5491

A1203 BACK PLATE (-02)

SIZE	FSCN NO.	DWG. NO.	REV
A		101292	B
THIRD ANGLE PROJECTION	SCALE: M/A	SHEET: 3/3	

This document is property of HeatWave. Its contents may not be reproduced or distributed without express written permission of HeatWave.